

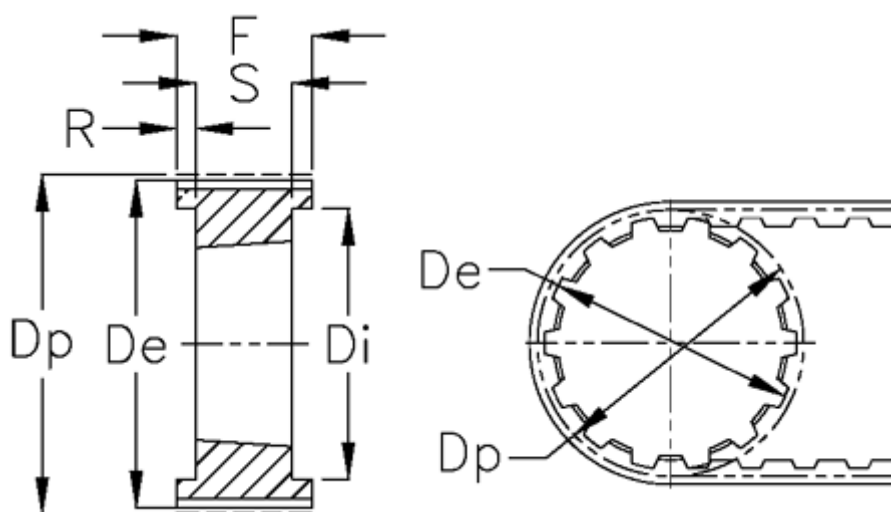
Data Sheet



Article number: 604132080085

Description: Taper bored timing belt pulley
HTD 80 8M 85 TL 3020

Measures



De	= 202.35	Tooth number	= 80
Di	= 180	Type	= 8M
Dp	= 203.72	Weight	= 10
F	= 95	Width	= 85
For bushing	= 3020		
Max bore	= 75		
r	= 22		
S	= 51		